

Installation Instructions for DKC-TRM-1 and DKC-TR2-A Automatic T-R Switch:

1. Your electronic T-R switch usually should be closely coupled to the transmitter. (Our DKF-2 double male connector will simplify this coupling.) Also, either the SWR of the coaxial line to which the transmitter is connected should be low or the point at which the switch is inserted should be at a voltage minimum when transmitting. The coaxial cable to the receiver may be any convenient length.
2. 90 to 120 v.d.c. at 15 to 25 ma. and 6.3 volts at 1.2 amperes are required to supply power to the DKC-TRM-1. For 12 volt heater operation, simply change the tube to a 12EH5. The current then required at 12 volts is 0.6 ampere and 90 to 120 v.d.c. at 15 to 25 ma. Thus it is possible to use the DKC-TRM-1 for either mobile or fixed operation with a minimum of difficulty.

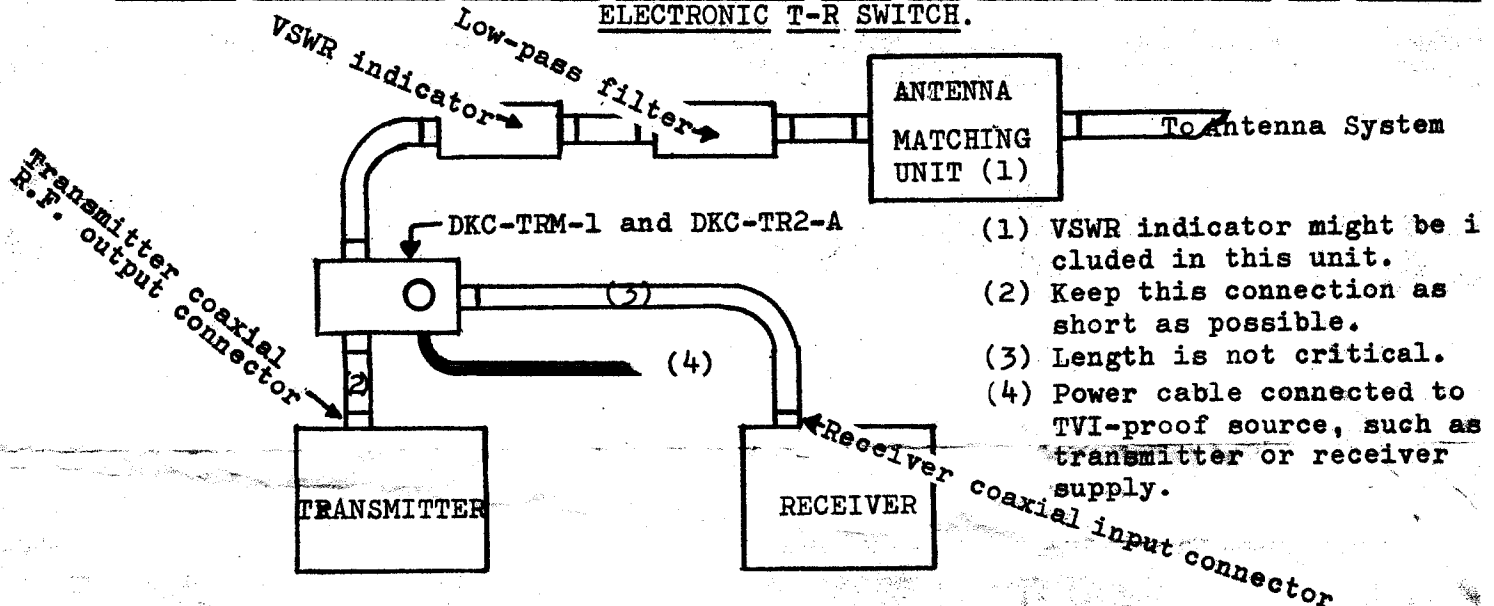
The red wire is B+, black is heater supply (6 or 12 volts), and the shield is common to both supplies.

3. If a low-pass filter is being used, place it between the T-R switch and the antenna system. Since the components of the T-R switch are enclosed in a solid casting, there is virtually no chance of radiation directly from the switch.
4. See drawing for T-R switch connector orientation.

The T-R switch acts practically instantaneously. The passive feed-through of the unit is quite small resulting in controlled blocking of the receiver.

The operating range is from 1.8 to 30 mc. for the DKC-TRM-1 and 144 to 148 mc. for the DKC-TR2-A, with a slight gain, for matched 50 to 75 ohm operation, across the entire frequency range.

TYPICAL TRANSMITTER RECEIVER COMBINATION WITH THE DOW-KEY DKC-TRM-1 and DKC-TR2-A ELECTRONIC T-R SWITCH.



This new Dow Electronic Switch has been carefully checked before leaving our factory. It is designed to give trouble-free operation and is guaranteed for 90 days against failure of material or workmanship. If this switch fails within the specified guarantee period, return it to our factory. Your dealer is not authorized to make warranty adjustments. Misuse, modification, disassembly, or adjustment voids our guarantee. Include 75¢ for mailing and handling for any warranty adjustments.

DOW-KEY COMPANY, Thief River Falls, Minnesota

3 GND  
 2/74  
 1. BT

